

CONTACT INFORMATION

SALES TEAM

Gary Borner

Vice President, Sales

gborner@spectroalloys.com

Direct: 651-480-6107

Mobile: 612-804-5738

Alan Gergen

Regional Sales Manager

agergen@spectroalloys.com

Direct: 651-480-6124

Mobile: 612-801-0122

Mindi Pagel

Sales Representative

mpagel@spectroalloys.com

Direct: 651-480-6149

Mobile: 651-325-6333

Edward Eichstadt

Trader

eeichstadt@spectroalloys.com

Direct: (651) 437-2815

FINANCE & ACCOUNTING

Brett Adams

Chief Financial Officer

badams@spectroalloys.com

Direct: 651-480-6118

Jim Beard

Controller

jbeard@spectroalloys.com

Direct: 651-480-6122

Angela Volpe

AR/Credit Specialist

avolpe@spectroalloys.com

Direct: 651-480-6117

Maria Madsen

Finance Planning and Analysis Manager

mmadsen@spectroalloys.com

Erica Gisch

Accounts Payable Specialist

egisch@spectroalloys.com

Elisa Eden

Sr. Accountant

eeden@spectroalloys.com

Direct: 651-480-6102

Matt Rheineck

Traffic Manager

mrheineck@spectroalloys.com

Direct: 651-480-6106

QUALITY

Corey Bacon

Quality Manager

cbacon@spectroalloys.com

Direct: 651-480-6140

LOGISTICS

Matt Rheineck

mrheineck@spectroalloys.com

Direct: (651) 480-6106

HUMAN RESOURCES

Nicole Packard

Senior Human Resources Manager

npackard@spectroalloys.com

CREDIT APPLICATION

Full Legal Name: _____ Type of Entity: _____
Physical Address: _____ Mailing Address: _____
City, State & Zip: _____ City, State & Zip: _____
Phone Number: _____ Fax Number: _____
Credit Limit Desired: _____ Federal ID#: _____
Owner/Office Name: _____
Acct. Payable E-mail: _____

Bank Reference

*Name: _____ Phone Number: _____
Address: _____ Fax Number: _____
City, State & Zip: _____ Contact: _____
Account Number: _____ E-mail: _____

Trade References

*Name: _____ Phone Number: _____
Address: _____ Fax Number: _____
City, State & Zip: _____ Contact: _____
E-mail: _____

*Name: _____ Phone Number: _____
Address: _____ Fax Number: _____
City, State & Zip: _____ Contact: _____
E-mail: _____

*Name: _____ Phone Number: _____
Address: _____ Fax Number: _____
City, State & Zip: _____ Contact: _____
E-mail: _____

I hereby authorize the companies listed above to release their credit experience with our company for the purpose of establishing trade credit with Spectro Alloys Corporation. I also agree to the following term and conditions and outlined by Spectro Alloys Corporation in return for consideration of trade credit with Spectro Alloys Corporation.

- Upon default in punctual payment, any past due balance may bear interest at a rate of 18% or the highest rate allowed by law.
 - in the event of any unpaid amount is collected through probate, bankruptcy, or other judicial proceedings by an attorney or is placed in the hands of an attorney or other collection agency for collection after maturity, the buyer agrees and promise to pay reasonable attorneys' fee for collection, which in no event shall be less than 18% of the principal and interest then due and owing.
 - Seller hereby submits to and agrees that it shall be subject to personal jurisdiction in the United States District Court, State of Minnesota, sitting in St. Paul, Minnesota, for any lawsuit brought by Buyer with respect to this order and agrees that personal service of process may be made upon Buyer by registered mail. Said court shall be the sole venue for any suit by Seller against Buyer. Any claim or action by Buyer with respect to this order shall be brought within twelve months after shipment of materials sold by Seller hereunder.
-

Signature: _____ Title: _____
Printed Name: _____ Date: _____

CUSTOMER CONTACT INFORMATION

Purchasing

Purchasing Agent Name: _____

Email: _____

Direct Phone Number: _____

Fax Number: _____

Accounting

CFO Name: _____

Email: _____

Direct Phone Number: _____

Fax Number: _____

Account Payble Name: _____

Email: _____

Direct Phone Number: _____

Fax Number: _____

Logistics

Receiving/Traffic MGR: _____

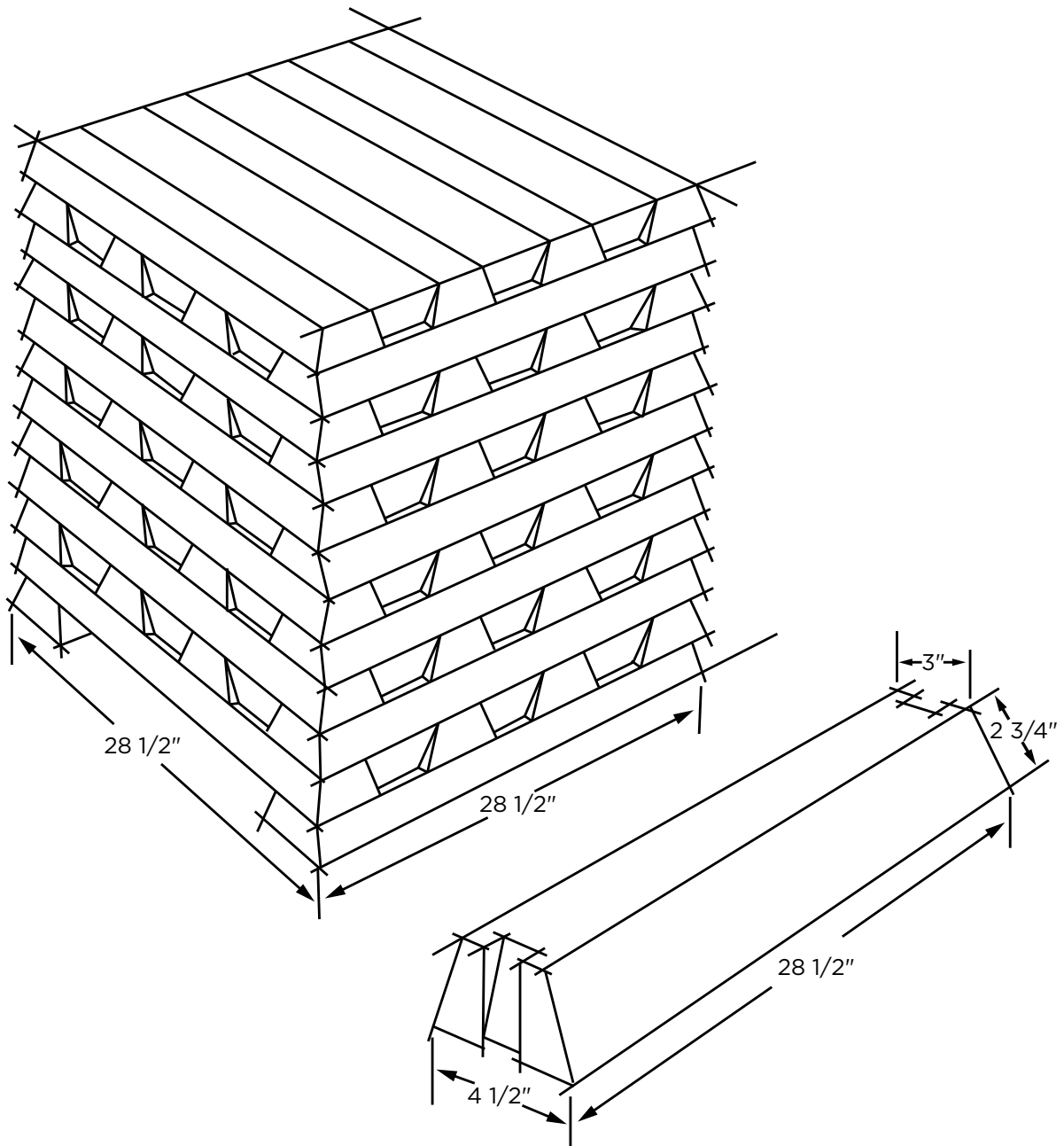
Email: _____

Direct Phone Number: _____

Fax Number: _____

Please return this form to Accounts receivable at ar@spectroalloys.com

INGOT BUNDLE DIMENSIONS



Approximately 28 lbs. (127kg) per ingot
7 ingots per row - 11 rows plus 2 runners
79 ingots per bundle
Stack weight: 2,200 lbs. (997.9kg)

ALLOY PRODUCT LIST

A-242.2 - 369.1

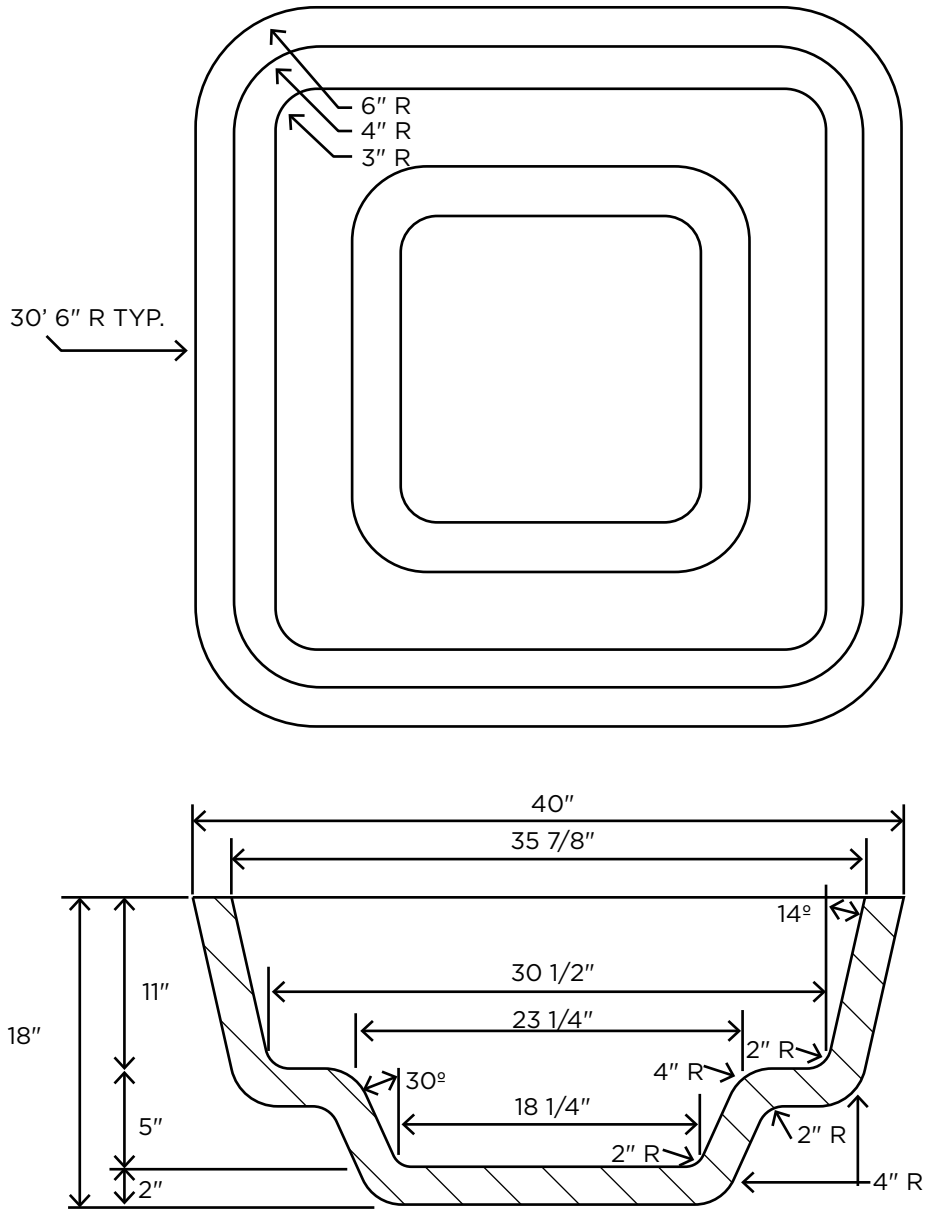
AA Number	Si	Fe	Cu	Mn	Mg	Cr	Ni	Zn	Sn	Ti	Others Each	Others Totals	Al
A-242.2	0.35	0.6	3.7 4.5	0.10	1.3 1.7	0.15 0.25	1.8 2.3	0.10	—	0.07 0.20	0.05	0.15	Bal.
319.1	5.5 6.5	0.8	3.0 4.0	0.50	0.10	—	0.35	1.0	—	0.25	—	0.50	Bal.
333.1	8.0 10.1	0.8	3.0 4.0	0.50	0.10 0.50	—	0.50	1.0	—	0.25	—	0.50	Bal.
332.1/ F-132	8.5 10.5	0.8	2.0 4.0	0.50	0.6 1.5	—	0.50	1.0	—	0.25	—	0.50	Bal.
355.1	4.5 5.5	0.50	1.0 1.5	0.50	0.45 0.60	0.25	—	0.35	—	0.25	0.05	0.15	Bal.
356.1	6.5 7.5	0.50	0.25	0.35	0.25 0.45	—	—	0.35	—	0.25	0.05	0.15	Bal.
A-356.2	6.5 7.5	0.12	0.10	0.05	0.30 0.45	—	—	0.05	—	0.20	0.05	0.15	Bal.
B-356.3	6.5 7.5	0.06	0.08	0.03	0.30 0.42	—	—	0.03	—	0.04 0.20	0.03	0.10	Bal.
A-360.1	9.0 10.0	1.0	0.60	0.35	0.45 0.60	—	0.50	0.40	0.15	—	—	0.25	Bal.
369.1	11.0 12.0	1.0	0.50	0.35	0.30 0.45	0.30 0.40	0.05	0.90	0.10	—	0.05	0.15	Bal.

ALLOY PRODUCT LIST

A-380.1 - 713.1

AA Number	Si	Fe	Cu	Mn	Mg	Cr	Ni	Zn	Sn	Ti	Others Each	Others Totals	Al
A-380.1	7.5 9.5	1.0	3.0 4.0	0.50	0.10	—	0.50	2.90	0.35	—	—	0.50	Bal.
B-380.1	7.5 9.5	1.0	3.0 4.0	0.50	0.10	—	0.50	0.90	0.30	—	—	0.50	Bal.
383.1	9.5 11.5	1.0	2.0 3.0	0.50	0.10	—	0.30	2.90	0.15	—	—	0.50	Bal.
384.1	10.5 12.0	1.0	3.0 4.5	0.50	0.10	—	0.50	2.90	0.35	—	—	0.50	Bal.
B390.1	16.0 18.0	1.0	4.0 5.0	0.50	0.50 0.65	—	0.10	1.40	—	0.20	0.10	0.20	Bal.
A413.1	11.0 13.0	1.0	0.60	0.35	0.10	—	0.50	0.40	0.15	—	—	0.25	Bal.
514.2	0.30	0.30	0.10	0.10	3.6 4.5	—	—	0.10	—	0.20	0.05	0.15	Bal.
5.18.2	0.25	0.70	0.10	0.10	7.6 8.5	—	0.05	—	0.05	—	—	0.10	Bal.
5.35.2	0.10	0.12	0.05	0.10 0.25	6.6 7.6	—	—	—	—	0.10 0.25	0.05	0.15	Bal.
713.1	0.25	0.80	0.40 1.0	0.60	0.25 0.50	0.35	0.15	7.0 8.0	—	0.25	0.10	0.25	Bal.

1200 lb. STANDARD SOW MOLD DIMENSIONS



SAO30 INGOT MOLD DIMENSIONS

